

Titus Tekform
Product Brochure



**Tekform
Overhead
Solutions
by Titus**

2015

The Titus Group

The Titus Group develops, manufactures and markets innovative precision components solutions that improve competitiveness of its customers in various industries. Through innovative product design, high-volume manufacturing expertise and efficient service, business partners are enabled to improve their productivity and quality as well as reduce costs of assembly, manufacturing and other processes.

The majority of the Titus group of companies' turnover comes from its core activity in furniture connectors, concealed hinges and furniture damping. The precision engineering competence gained in the field of furniture hardware has been applied to other areas: multi-purpose damping technology, automated assembly systems, tooling and ultrasound fastening technology in various industries; including furniture, home appliances, automotive, medical devices and hardware.

With over 600 employees worldwide and markets in over 70 countries, The Titus group, under the umbrella of Titus International Ltd., is based in the UK and comprises 14 companies originating from Titus International in England and Lama d.d. Dekani in Slovenia.



Titus Tekform in Australia

Titus Tekform Pty. Ltd. was created and launched to the Australian market on 1 April 2014. The Titus Group acquired the Tekform group of companies in Australia, thus securing Titus' distribution channels. The new company has been renamed and rebranded Titus Tekform.

The Titus precision component engineering combined with Tekform's 50-years tradition of introducing innovations to Australian furniture industry, makes Titus Tekform well placed to meet Australian furniture makers' needs for application engineering support, flexible service and efficient deliveries.

Titus Tekform offers our customers knowledge of furniture production processes, tight relationship with suppliers and a wide distribution network.

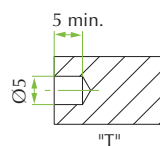
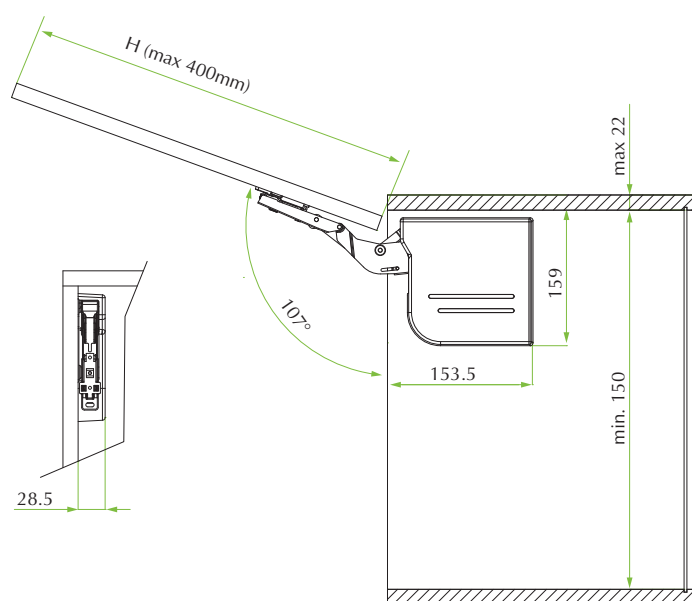
Tekform Overhead Solutions by Titus

Aerobus Opening System



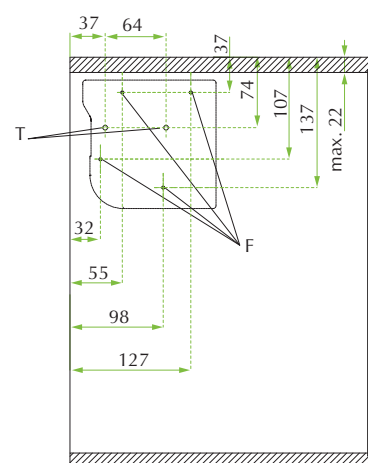
- Compact and non-invasive system
- Guarantees excellent access to the interior space even in small furniture
- Easy mounting on the cabinet and rapid fixing on the door with a “click” and without hinges
- Damper included for a controlled and silent closure of the door
- Complete and accurate adjustment system
- Force adjustment, based on door weight and sizes, for a freehold

Application

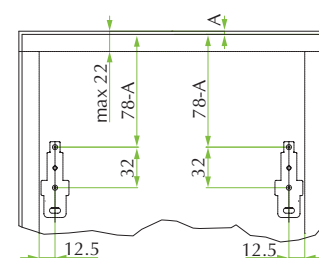


T = Ø5mm x min. 5mm deep
 T = pilot holes
 F = fixing holes

Cabinet fixing

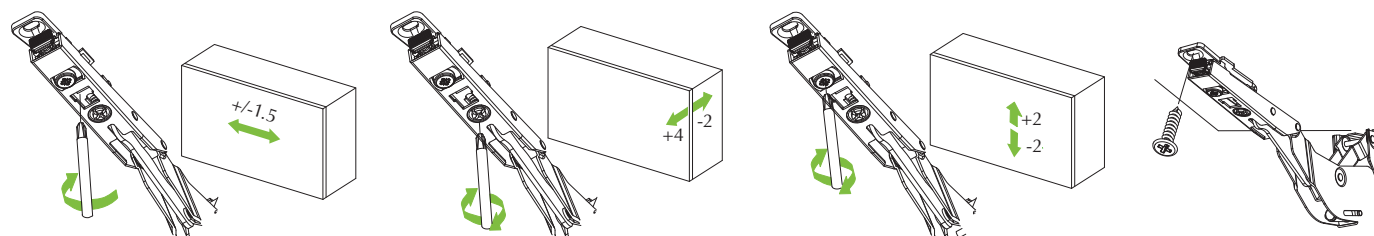


Door fixing

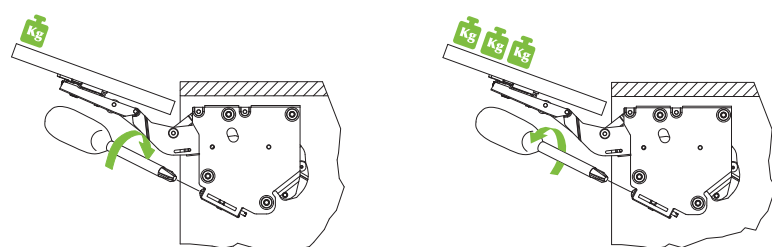


Adjustments

Door adjustment



Damper strength adjustment

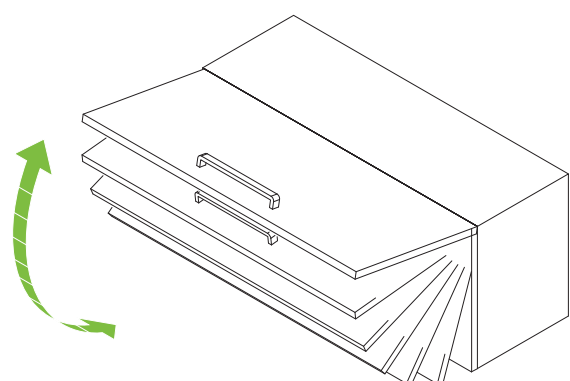


Tekform Overhead Solutions by Titus

Aerobus Opening System



- Easy assembly with click-on door fixing
- No hinges or stabilisation bars required
- SlowMotion technology for controlled and silent closing
- Non-invasive slim housing



Order code	Description	Colour	Packaging
FW59.0VBSA9.D20	AeroBus Kit for doors 1.0-5.5kg	White	Kit
FW59.0VBSA9.D40	AeroBus Kit for doors 2.4-12.3kg	White	Kit
Kit includes:			
System groups			2 pcs
Linear mounting plates for the door fixing			2 pcs
Ø4 x 15mm screws			6 pcs
Ø4 x 35mm screws			8 pcs
Covers: right and left			2 pcs

Choosing the correct AeroBus System




- Door height max is 400mm
- Door width max depends on the kit's load capacity
- Choose from 2 kits depending on height and weight requirements

Door Height	59.0VBS.A9.D20	59.0VBS.A9.D40
400	1.0 - 2.5kg	2.4 - 5.5kg
350	1.1 - 2.9kg	2.7 - 6.3kg
300	1.3 - 3.5kg	3.2 - 7.4kg
250	1.6 - 4.0kg	3.8 - 8.9kg
200	2.0 - 5.0kg	4.8 - 11.0kg
180	2.2 - 5.5kg	5.3 - 12.3kg

Tekform Overhead Solutions by Titus

Lift Up Mechanisms



	Order code	Description	Dimensions	Colour
Gas Strut 	IF66300	Gas Strut Suitable for weights up to 12kg	Minimum internal cabinet height 264mm	Silver
Lift Up Stay 	IF66287	Lift Up Overhead Stay with easy operation and variable opening angle of 75°. No concealed hinges required on top panel. Spring strength of 180N		White
Flap Stay 	FLP1GC001XL*	Klok XL Flap Stay Complete with carcass bracket and door bracket for wood	Minimum door height 300mm Maximum door height 700mm Maximum door opening angle 105°	Chrome

*See page 6 for details on how many flap stays are required depending on door height, weight and desired opening angle.

Tekform Overhead Solutions by Titus

Klok XL Flap Stay Table

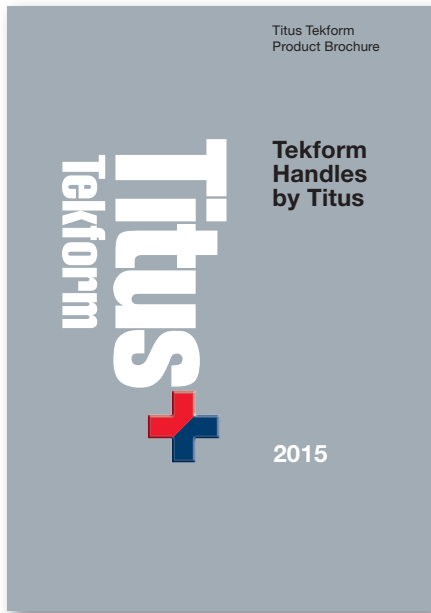
Choosing the correct quantity of Klok XL flap stays

To keep the door opening in any position, the number of Klok XL flap stays to use must be calculated according to the door weight, the door height and the maximum opening angle desired.

Door weight and maximum opening angle		Door height (mm)								
		300	350	400	450	500	550	600	650	700
2kg	75°	1	1	1	1	1	1	1	1	1
	90°	1	1	1	1	1	1	1	2	2
	105°	1	1	1	1	1	2	2	2	2
3kg	75°	1	1	1	1	1	1	1	1	1
	90°	1	1	1	1	1	1	1	2	2
	105°	1	1	1	1	1	2	2	2	2
4kg	75°	1	1	1	1	1	1	1	1	1
	90°	1	1	1	1	1	1	1	2	2
	105°	1	1	1	1	1	2	2	2	2
5kg	75°	1	1	1	1	1	1	1	1	1
	90°	1	1	1	1	1	1	1	2	2
	105°	1	1	1	1	2	2	2	2	2
6kg	75°	1	1	1	1	1	1	1	1	1
	90°	1	1	1	1	1	2	2	2	2
	105°	1	1	1	2	2	2	2	2	2
7kg	75°	1	1	1	1	1	1	1	2	2
	90°	1	1	1	2	2	2	2	2	2
	105°	1	2	2	2	2	2	2	2	/
8kg	75°	1	1	1	1	1	2	2	2	2
	90°	1	1	2	2	2	2	2	2	2
	105°	1	2	2	2	2	2	2	/	/
9kg	75°	1	1	1	1	2	2	2	2	2
	90°	1	2	2	2	2	2	2	2	/
	105°	2	2	2	2	2	/	/	/	/
10kg	75°	1	1	1	2	2	2	2	2	2
	90°	1	2	2	2	2	2	2	/	/
	105°	2	2	2	2	/	/	/	/	/
11kg	75°	1	1	2	2	2	2	2	2	2
	90°	2	2	2	2	2	/	/	/	/
	105°	2	2	2	/	/	/	/	/	/
12kg	75°	1	1	2	2	2	2	2	2	2
	90°	2	2	2	2	2	/	/	/	/
	105°	2	2	2	/	/	/	/	/	/

For additional technical information, please download the technical datasheet at www.titustekform.com.au

What's new from Titus Tekform



Put the finishing touches on your furniture and cabinetry with Tekform Handles by Titus. Titus Tekform introduces a complete range of furniture handles to the Australian market. Request your copy of the brochure today.



Solutions that improve competitiveness. Now available in Australia, Titus Tekform introduces a complete range of Titus Plus Furniture Fittings including concealed hinges, furniture damping and connectors and soft-close systems. Request your copy of the catalogue today.



The Tekform Sinkware by Titus range offers the market both hand fabricated and seamless pressed sinks. Mercer, the manufacturer of Tekform Sinks by Titus, delivers superior quality sinkware from their New Zealand plant. Request your copy of the brochure today.

STAY UPDATED!

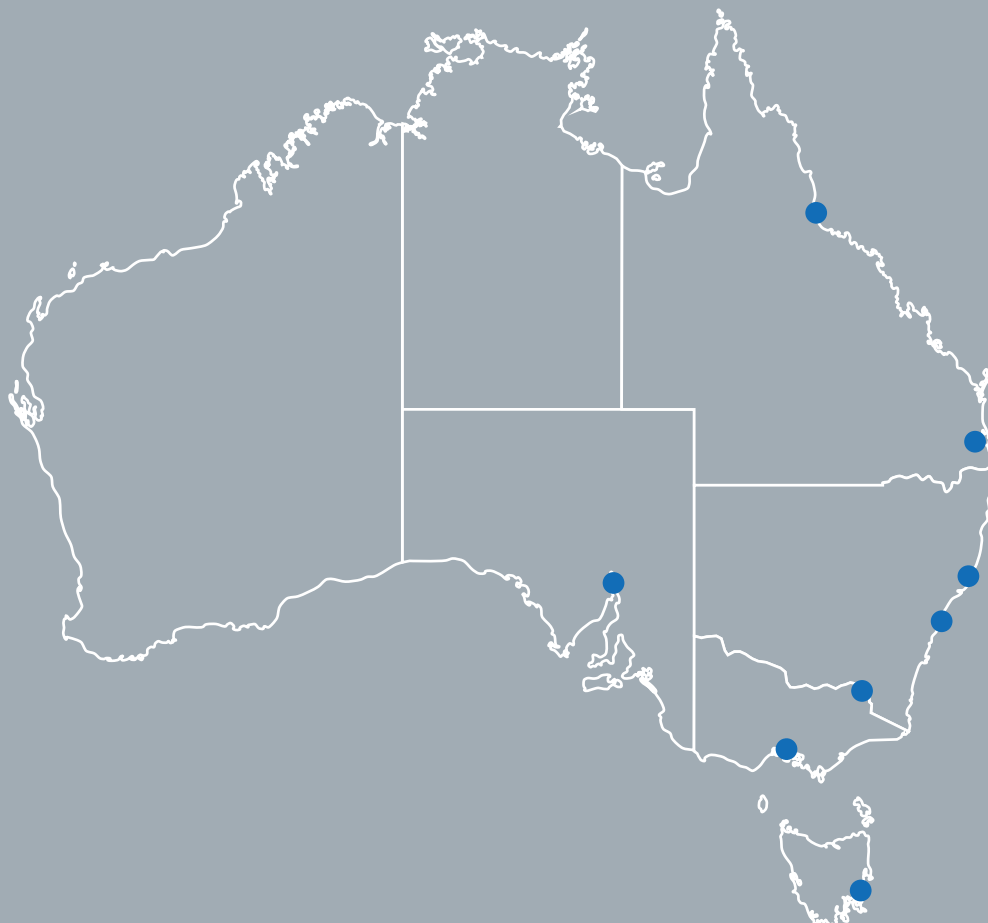
Stay in touch by signing up for our monthly product update.

Email us at

info@titustekform.com.au

To get in touch with your local Titus Tekform sales representative log onto www.titustekform.com.au or email us at info@titustekform.com.au

To find out more about the Titus Group range of products: www.titusplus.com



Australia

New South Wales

Titus Tekform Pty Ltd
Unit 1&2, 41-43 Whyalla Place
Prestons, NSW, 2170
Australia
T: +61 2 9826 0007
Fax: +61 2 9826 0074
ABN: 67 168 439 647

Titus Tekform Pty Ltd
Unit 3, 100 Munibung Road
Cardiff, NSW, 2285
Australia
T: +61 2 4954 4011
Fax: +61 2 4954 4233

Queensland

Titus Tekform Pty Ltd
20 Civil Road
Garbutt, QLD, 4814
Australia
T: +61 7 4779 1366
Fax: +61 7 4779 1316
PO Box 7922
Garbutt, QLD, 4815

Titus Tekform Pty Ltd
1/32 Northlink Place
Virginia, QLD, 4014
Australia
T: +61 7 3266 3999
Fax: +61 7 3266 5234
PO Box 266
Northgate, QLD, 4013

South Australia

Titus Tekform Pty Ltd
PO Box 357
Bayswater, VIC, 3153
Australia
T: +61 8 8447 3700
Fax: +61 8 8447 3183

Tasmania

Titus Tekform Pty Ltd
88 Hopkins Street
Moonah, TAS, 7009
T: +61 3 6273 1199
Fax: +61 3 6273 0050
Australia
PO Box 658
Moonah, TAS, 7009

Victoria

Titus Tekform Pty Ltd
2/20 Mint Street
Wodonga, VIC, 3690
Australia
T: +61 2 6056 3188
Fax: +61 2 6056 3190

Titus Tekform Pty Ltd
8/59 Jersey Road
Bayswater, VIC, 3153
Australia
T: +61 3 9737 5566
Fax: +61 3 9729 8780
PO Box 357
Bayswater, VIC, 3153

To get in touch with your local Titus Tekform sales representative log onto www.titustekform.com.au or email us at info@titustekform.com.au

To find out more about the Titus Group range of products: www.titusplus.com