

Titus Tekform
Product Brochure



Adjustable Furniture Legs

2015

Innovation, Technical Expertise and Reliability

The Titus Group

The Titus Group develops, manufactures and markets innovative precision components solutions that improve competitiveness of its customers in various industries. Through innovative product design, high volume manufacturing expertise and efficient service, business partners are enabled to improve their productivity and quality as well as reduce costs of assembly, manufacturing and other processes.

The majority of the Titus group of companies' turnover comes from its core activity in furniture connectors, concealed hinges and furniture damping. The precision engineering competence gained in the field of furniture hardware has been applied to other areas: multi- purpose damping technology, automated assembly systems, tooling and ultrasound fastening technology in various industries; including furniture, home appliances, automotive, medical devices and hardware.

With over 600 employees worldwide and markets in over 70 countries, The Titus group, under the umbrella of Titus International Ltd., is based in the UK and comprises 14 companies originating from Titus International in England and Lama d.d. Dekani in Slovenia.



Titus Tekform in Australia

Titus Tekform Pty. Ltd. was created and launched to the Australian market on 1 April 2014. The Titus Group acquired the Tekform group of companies in Australia, thus securing Titus' distribution channels. The new company has been renamed and rebranded Titus Tekform.

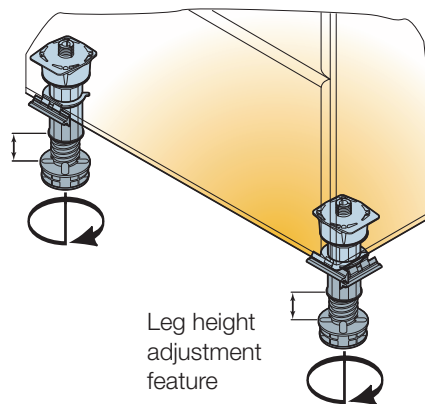
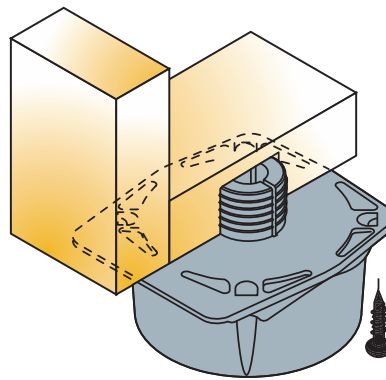
In the competitive Australian kitchen, cabinet making and shop-fitting markets, the industry is becoming reliant of fewer 'best practice' suppliers who can provide innovation and a differentiated product portfolio. Titus Tekform is your answer.

Titus Tekform aims to be your supplier of choice by bringing new branded innovations to market, establishing long-term relationships with our suppliers and customers and providing technical expertise.

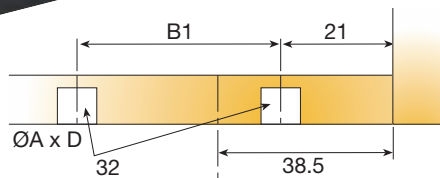
Adjustable Cabinet Legs

Leg Top Fixes

- Lip provides additional support to end panel and gives extra strength
- Rivet fix design gives quick fastening of socket
- Choice of knock-in dowel or screw-in sockets
- Invert second clip for corner plinth fixing

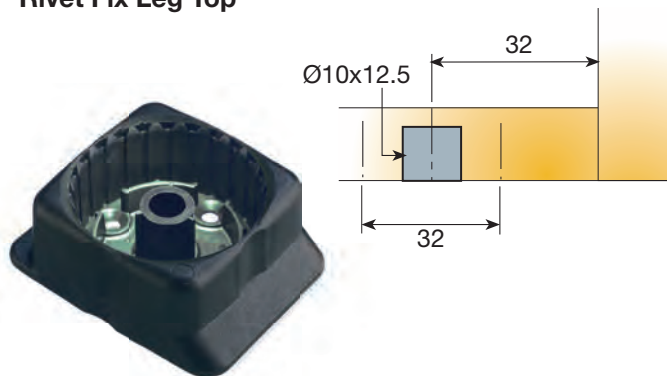


Leg Tops



Pack quantity: 100 pcs Made of plastic

Rivet Fix Leg Top



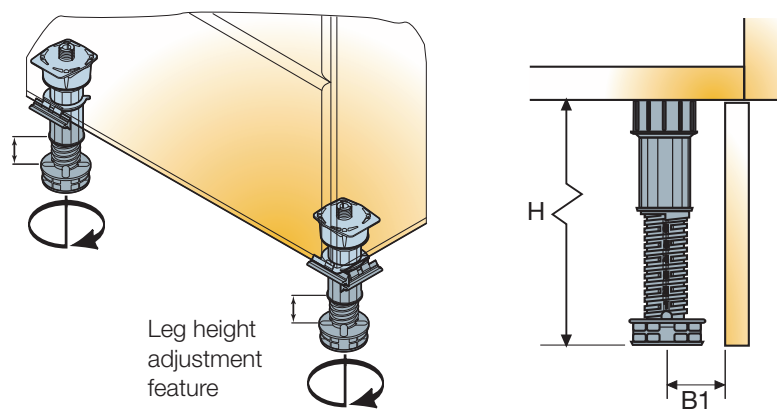
Pack quantity: 200 pcs Made of plastic

Description	A Drilling Diameter (mm)	D Drilling Depth (mm)	B1 Drilling Distance (mm)	Item Number	Black
With Lip					
Knock-in 2-pin	10/3	12.5/6	64x64	02669	835
Screw-in	3	6	64x64	02671	835
Knock-in 4-pin	10	12.5	64x64	02672	835
Without Lip					
Knock-in 2-pin	10/3	12.5/6	64x64	02711	835
Screw-in	3	6	64x64	02712	835
Knock-in 4-pin	10	12.5	64x64	02713	835
	10	12.5		02663	835

Adjustable Cabinet Legs

Adjustable Leg, Extension and Foot

- Legs are supplied assembled at a pre-set height
- Wide adjustment range to fit all common plinth heights
- Jacking point adjustment feature
- Simple push-on socket design
- Telescopic leg offers unparalleled adjustment



Adjustable Leg



Pack quantity: 100 pcs, 300pcs (02648) Made of plastic

Adjustable Leg, Telescopic



Pack quantity: 200pcs Made of plastic

Adjustable Leg, With Foot



Pack quantity: 200pcs Made of plastic

B1	H	Item Number	Black
Drilling Distance (mm)	Fitting Height Adjustment (mm)		
24	60-90	02570	835
24	92-150	02648	835
38	85-165	02641	835
38	110-170	02645	835
38	92-150	02699	835
38	125-185	02706	835

Note: To be used with screw-in plinth clip 02634

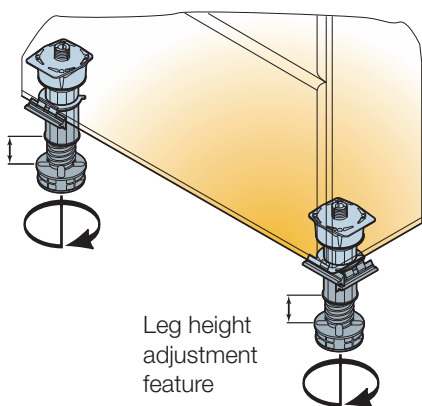
Note: To be used with screw-in plinth clip 02500

Note: To be used with screw-in plinth clip 02710 or knock-in plinth clip 02578

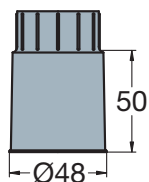
Adjustable Cabinet Legs

Adjustable Leg, Extension and Foot

- Leg extension for use with all adjustable legs
- Fixed foot allows for common drilling distance (B1) of all legs

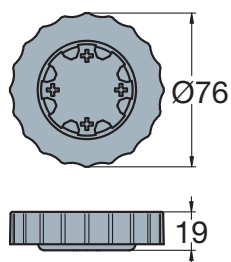


Leg Extension



Pack quantity: 200pcs Made of plastic

Fixed Foot



Pack quantity: 200pcs Made of plastic

Item Number

Black

02571

835

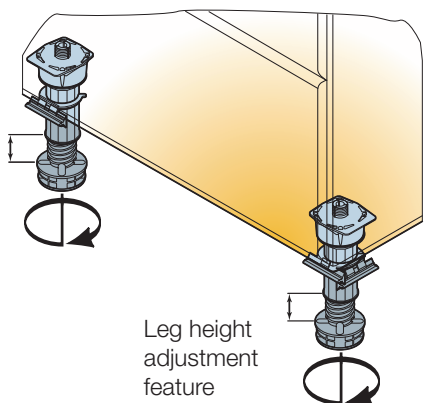
02569

835

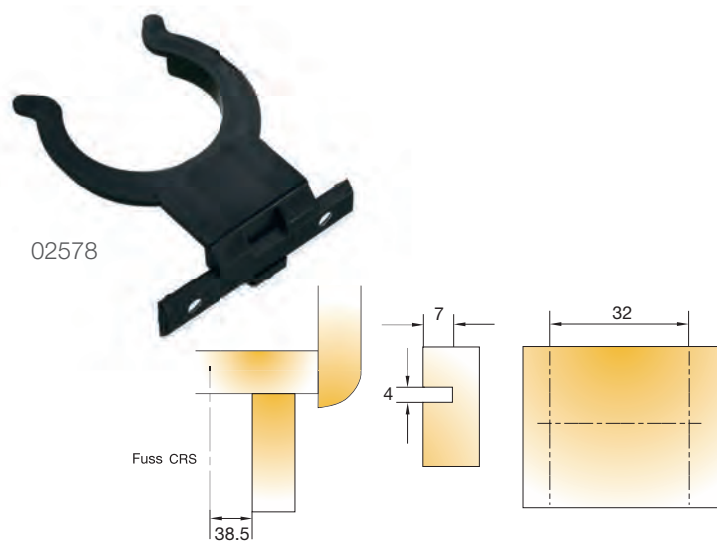
Adjustable Cabinet Legs

Plinth Clips

- Spring design eliminates the need for drilling and fits into any position on plinth
- The screw-in version can sit in variable plinth positions
- When taking plinth around the corner, the fitting is reversible

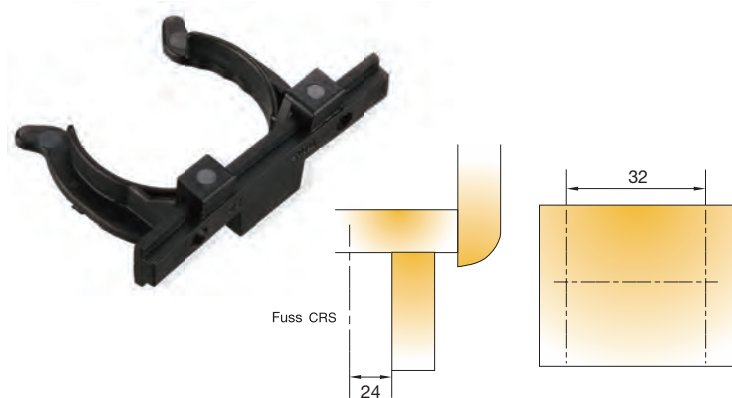


Plinth Clip



Pack quantity: 700pcs Made of plastic

Plinth Clip



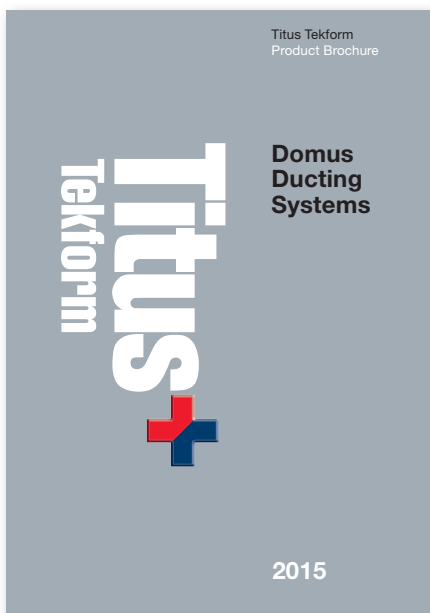
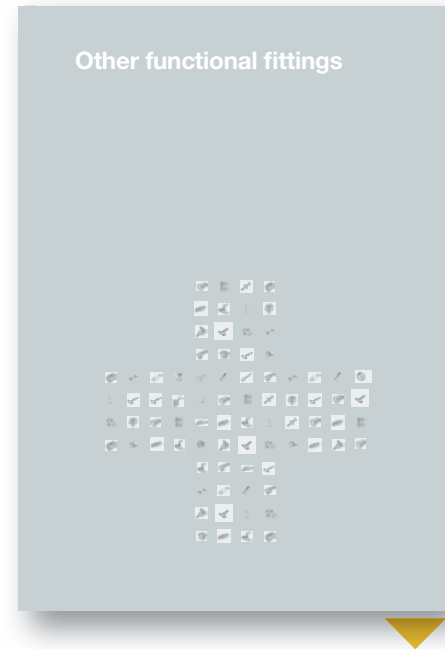
Pack quantity: 800pcs Made of plastic

B1			
Drilling Distance (mm)	Description	Item Number	Black
38	Screw-in Plinth Clip for telescopic leg	02500	835
38	Knock-in Plinth Clip	02578	835
38	Screw-in Plinth Clip	02710	835
24	Screw-in Plinth Clip	02634	835

What's new from Titus Tekform



Titus Tekform offers a complete range of furniture and cabinetry fasteners. The comprehensive range includes screws, brads, staples, caps and fastening accessories. Request a copy of the brochure to view the complete fastener range.



The Domus Ducting solutions from Titus Tekform are available in 8 different profiles to suit any application and come with a full set of fittings to produce a simple or complex system. Designed to offer high levels of air tightness and system efficiency, Domus rigid duct systems from Titus Tekform are also supported by insulation, sound attenuation and fire-stop products. Request a copy of the brochure to view the complete ducting range.

Titus Tekform offers a comprehensive range of high-volume connectors with unique product features that add value to furniture and furniture manufacturing with: improved quality, lower cost of manufacturing and furniture assembly and easier assembly of furniture at home. Request a copy of the Titus Hardware solutions to view the complete range.

STAY UPDATED!

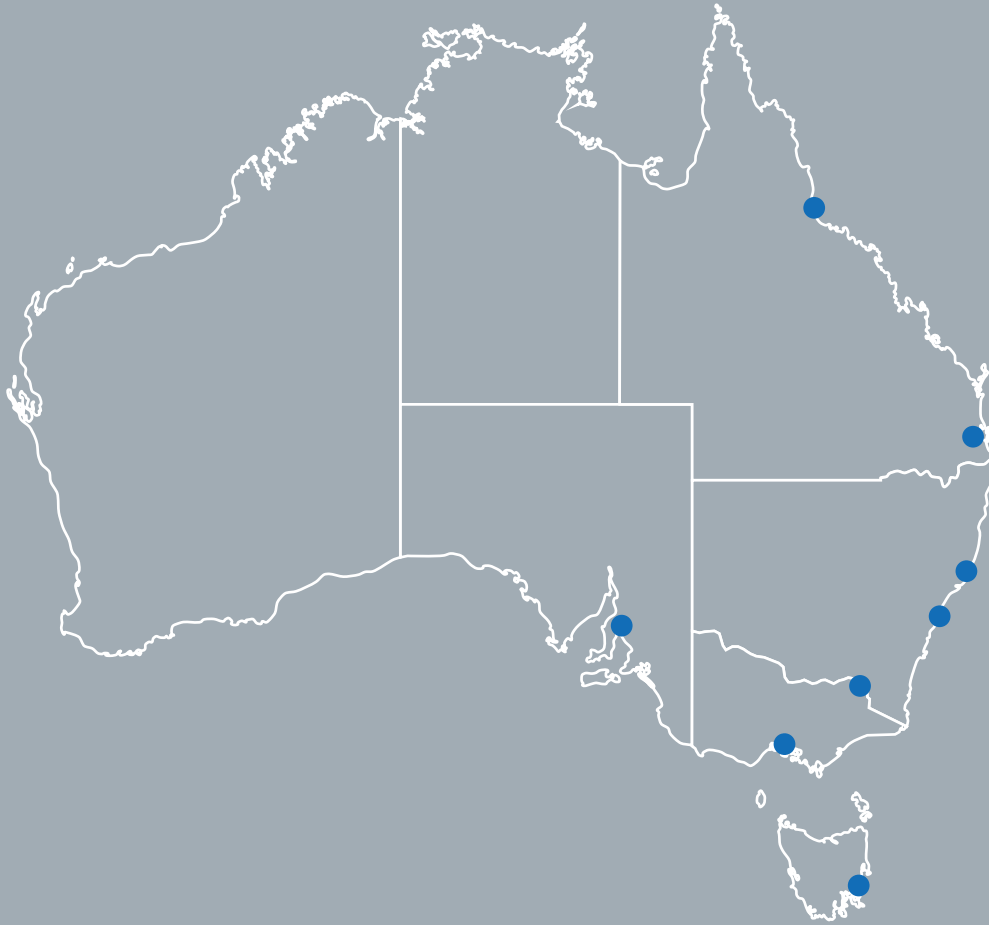
Stay in touch by signing up for our monthly product update.

Email us at

info@titustekform.com.au

To get in touch with your local Titus Tekform sales representative log onto www.titustekform.com.au or email us at info@titustekform.com.au

To find out more about the Titus Group range of products: www.titusplus.com



Australia

New South Wales

Titus Tekform Pty Ltd
Unit 1&2, 41-43 Whyalla Place
Prestons, NSW, 2170
Australia
T: +61 2 9826 0007
Fax: +61 2 9826 0074
ABN: 67 168 439 647

Titus Tekform Pty Ltd
Unit 3, 100 Munibung Road
Cardiff, NSW, 2285
Australia
T: +61 2 4954 4011
Fax: +61 2 4954 4233

Queensland

Titus Tekform Pty Ltd
1/32 Northlink Place
Virginia, QLD, 4014
Australia
T: +61 7 3266 3999
Fax: +61 7 3266 5234
PO Box 266
Northgate, QLD, 4013

Titus Tekform Pty Ltd
20 Civil Road
Garbutt, QLD, 4814
Australia
T: +61 7 4779 1366
Fax: +61 7 4779 1316

South Australia

Titus Tekform Pty Ltd
PO Box 357
Bayswater, VIC, 3153
Australia
T: +61 8 8447 3700
Fax: +61 8 8447 3183

Tasmania

Titus Tekform Pty Ltd
88 Hopkins Street
Moonah, TAS, 7009
T: +61 3 6273 1199
Fax: +61 3 6273 0050
Australia
PO Box 658
Moonah, TAS, 7009

Victoria

Titus Tekform Pty Ltd
8/59 Jersey Road
Bayswater, VIC, 3153
Australia
T: +61 3 9737 5566
Fax: +61 3 9729 8780
PO Box 357
Bayswater, VIC, 3153

Titus Tekform Pty Ltd
2/20 Mint Street
Wodonga, VIC, 3690
Australia
T: +61 2 6056 3188
Fax: +61 2 6056 3190

To get in touch with your local Titus Tekform sales representative log onto www.titustekform.com.au or email us at info@titustekform.com.au

To find out more about the Titus Group range of products: www.titusplus.com